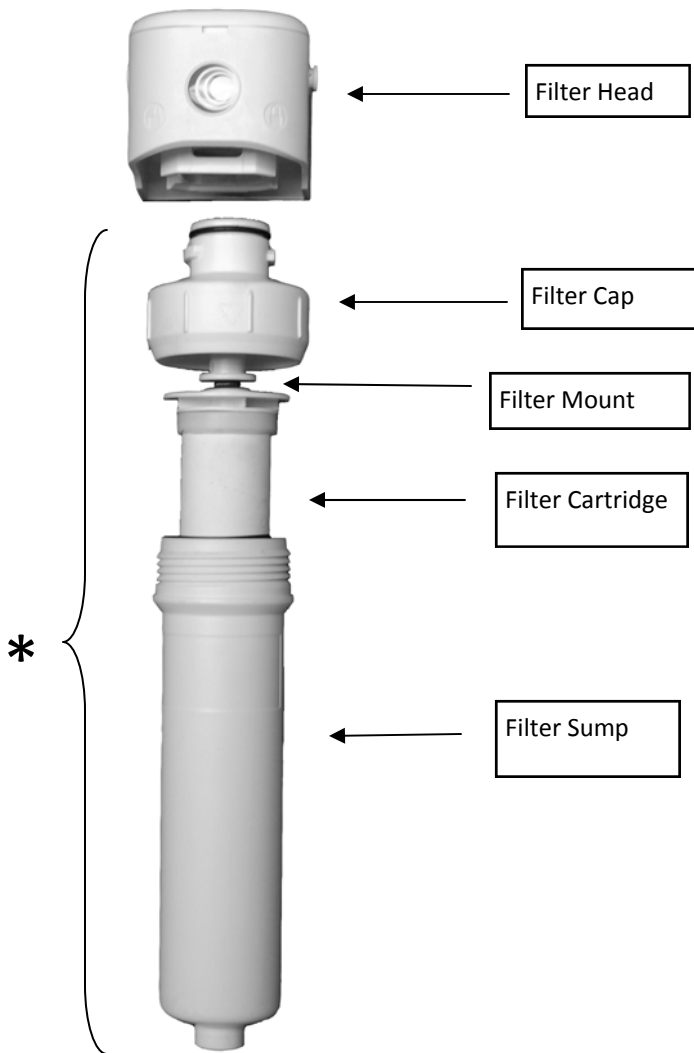


Filter System



The C-247 range of products are tested in accordance with NSF/ANSI Standard 42 for Chlorine, Taste & Odour and, where stated, NSF/ANSI Standard 53 for Cyst.

The C-FIL (W) Sump and Head are tested in accordance with NSF/ANSI Standard 42 for material and structural integrity components.



Component

Step 1 - Inventory Parts Received

1. This Instruction Sheet
2. Filter System (loose assembled)

See diagram on left

DIY Parts (Not included unless ordered with system)

3. EZ Adaptor
4. Connecting tubing (1/4")
5. Faucet connector
6. Faucet



Step 2 - Install Filter Housing

1. Select a suitable location for the filter system under the sink.
 - a. Location should be reasonably accessible for filter replacement.
2. Install the filter head (white plastic) to wall location using the two (2) self-tapping screws.

NOTE: The flow arrows embossed inside the cap on top of the Filter Head indicates the filter inlet and outlet ports.

NOTE: When mounting housing to cabinet make sure to leave enough space below sump for removal of sump (approx 3 in) for maintenance.

NOTE: When supplied as a "Twin" system, the EcoFast MultiMedia filter or CeraCarb is installed in the first position (left) and the AquaMetix (Fluoride and Metals reduction filter) is installed in the second (right).

Step 3

*Filter Assembly

1. Insert filter mount into opening on top of the filter cartridge.
2. Insert filter cartridge into the filter sump.
3. Thread the filter cap onto the filter sump and screw on tight.
4. To connect this filter assembly to the filter head, push the top of the assembly(oring side) into the bottom of the filter head, making sure that the ribs on either side of the filter cap align with the base of the filter head (left and right side of the filter head) and once an upward motion into the filter head is done, turn the filter assembly counter-clockwise to seal the unit.
 - This entire filter portion separates from the Filter Head by turning Clockwise to remove OR Counter-Clockwise to connect.

Step 4 - Install the EZ Adaptor

1. Turn off the cold water supply valve under the sink. If there is no valve, turn off the water to your house at the main meter.
2. Open the cold water faucet to let off pressure. Make sure the valve is off and the faucet is not dripping.
3. Unscrew the nut that holds the cold water supply line into the pipe where you just turned the water off from.
4. Install the EZ adaptor on the exposed threads and tighten.
5. Reinstall the nut with the cold water supply line onto the top of the EZ adaptor fitting and tighten.

NOTE: Do NOT turn the cold water line back on yet, the water will flow directly out of the EZ adaptor and flood your kitchen.

Step 6 - Install Connecting Tube

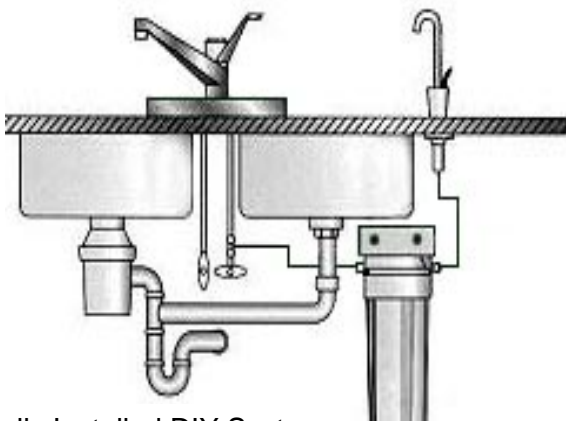
1. Cut two pieces of the 1/4" plastic tubing to fit between the plastic push fittings on:
 - a. the EZ adaptor and the filter head inlet.
 - b. the filter head outlet and the faucet.

NOTE: Allow an extra 1" inch on each piece as the tip of the tubing will travel about 1/2" into each fitting to seat properly.

2. Seat the tubing firmly into the push-fit plastic adaptors on the EZ adaptor, the filter head and the faucet.

Troubleshooting

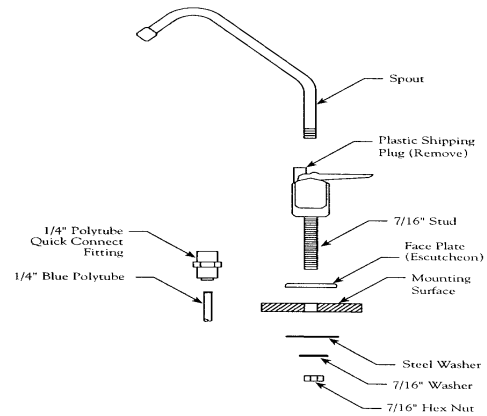
1. No flow of water through the system:
 - a. check the plastic tubing for kinks, or obstructions.
2. Water leaks:
 - a. at the push fitting connections:
inspect to be sure tubing is fully inserted into the connector (s).
 - b. at the housing: verify that the housing has been fully tightened.
3. Flow rate drops off:
Replace filter



Fully Installed DIY System

Step 5- Install the Faucet

1. Select a suitable location for the drinking water faucet as close to the sink as possible allowing convenient space under the sink for assembly. Drill the sink top with a 1/2" bit to accommodate the inlet pipe.
2. Assemble the faucet to the sink top:
 - a. remove the push fit adaptor, the brass nut and the lock washer from the inlet pipe.
 - b. insert the valve through the sink top to seat the rubber washer.
 - c. replace the lock washer and brass nut and tighten firmly with a wrench.
 - d. replace the push-fit adaptor.



Step 7 - Start-Up

1. Open the tap fully by lifting the lever to its vertical position to allow trapped air and water to flow out of the system.
2. Using the EZ adaptor, turn water on at the main inlet of the cold water supply. Water should start flowing out of the faucet once the filter system has filled with water- within 30 seconds
3. Flush the system for one to two minutes before using the water, some residual particles may be expelled during this flush; this is normal.

Replacement Filters:

W9410103 EcoFast™ MultiMedia

W9410106 CeraCarb

W9410107 AquaMetix™ (used in twin system only)

Rated Service Flow: 0.6 to 1.0 gallons per minute

Maximum Working Pressure: 125 psig

Maximum Operating Temperature: 100°F

This System is designed for cold Water use only. For use with safe treated potable water sources.

